

# MF mounting rail supports

for 35 mm top hat DIN rails and 10 × 3 mm bus bars



There are 4 models of supports for mounting bus bars 10 × 3 mm or 35 mm top hat DIN rails.

Various supports are available to provide solutions for different conditions.

A mounting clip is used for fastening the bus bar to the supports. The support has M6 female screw threads to affix the mounting clip of the DIN rail with a M6 screw.

RoHS  
compliant

REACH  
COMPLIANCE

## Specifications

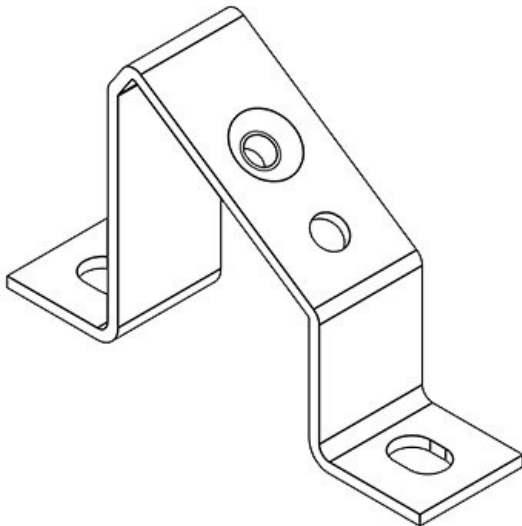
**Material** Mild steel, galvanically zinc plated

## Advantages & benefits

- Wide variety of supports with different sizes and designs
- Simple assembly of 35 mm DIN rails and 10 × 3 mm bus bars
- Support type D provides possibility to affix two 35 mm DIN rails

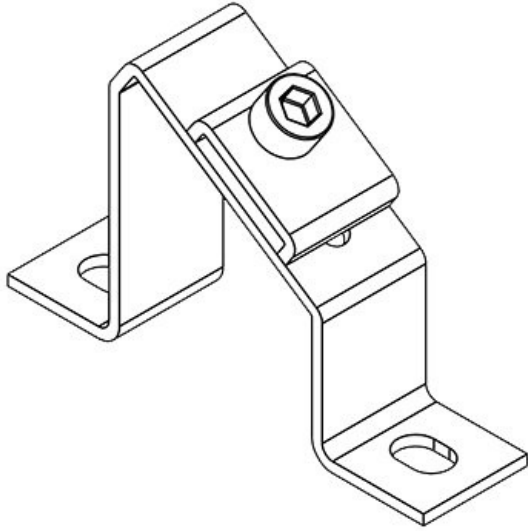
## Product types & sizes

MF-A49



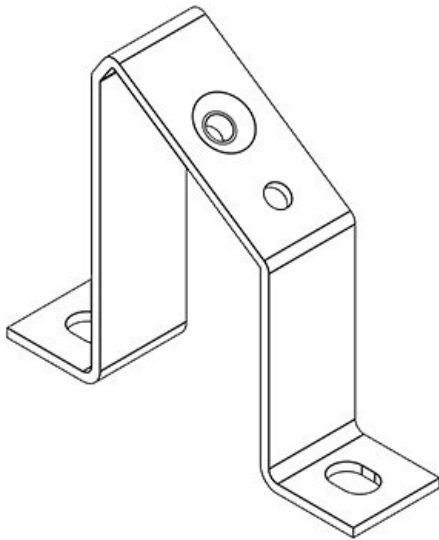
Part No.	<b>36056</b>	Diam. of screw <b>7 mm</b>
EAN	<b>4251269302</b>	holes
	<b>022</b>	
Package quantity	<b>10</b>	
Length	<b>80 mm</b>	
Width	<b>20 mm</b>	
Height	<b>49 mm</b>	
No. of screw holes	<b>2</b>	

**MF-A49 + Clip**



Part No. **36058** Diam. of screw **7 mm**  
EAN **4251269302** holes  
**039**  
Package quantity **10**  
Length **80 mm**  
Width **20 mm**  
Height **49 mm**  
No. of screw **2**  
holes

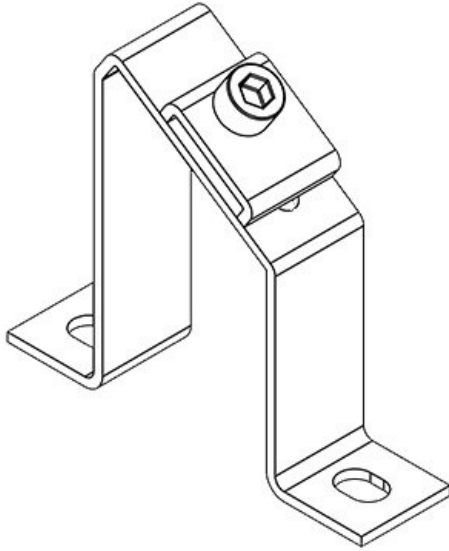
**MF-A68**



Part No. **36064** Diam. of screw **7 mm**  
EAN **4251269302** holes  
**046**  
Package quantity **10**  
Length **80 mm**  
Width **20 mm**  
Height **68 mm**  
No. of screw **2**  
holes

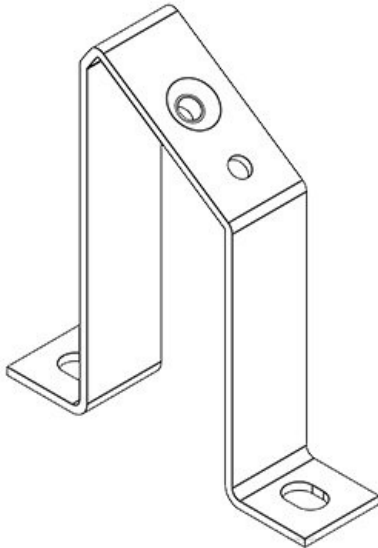
**MF-A68 + Clip**

Part No. **36066**      Diam. of screw **7 mm**  
EAN **4251269302**      holes  
**053**  
Package quantity **10**  
Length **80 mm**  
Width **20 mm**  
Height **68 mm**  
No. of screw **2**  
holes

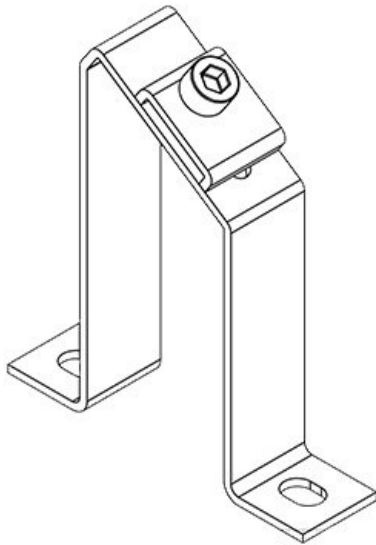


**MF-A88**

Part No. **36072**      Diam. of screw **7 mm**  
EAN **4251269302**      holes  
**060**  
Package quantity **10**  
Length **80 mm**  
Width **20 mm**  
Height **88 mm**  
No. of screw **2**  
holes

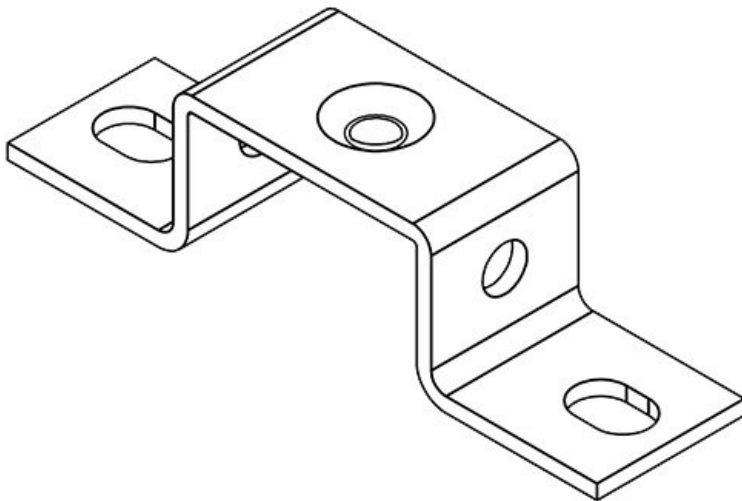


**MF-A88 + Clip**



Part No. **36074** Diam. of screw **7 mm**  
EAN **4251269302** holes  
**077**  
Package quantity **10**  
Length **80 mm**  
Width **20 mm**  
Height **88 mm**  
No. of screw **2**  
holes

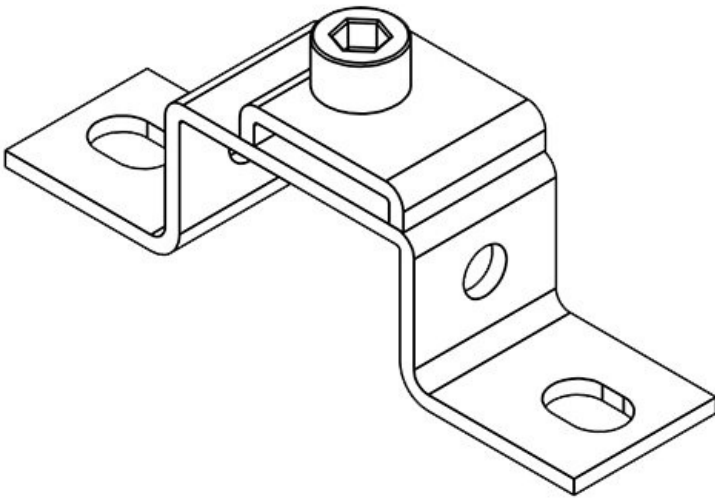
**MF-B20**



Part No. **36000** Diam. of screw **7 mm**  
EAN **4251269301** holes  
**889**  
Package quantity **10**  
Length **80 mm**  
Width **20 mm**  
Height **20 mm**  
No. of screw **2**  
holes

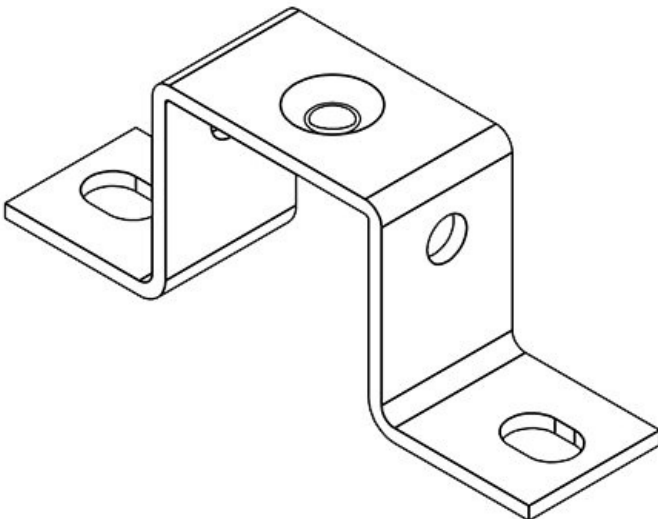
**MF-B20 + Clip**

Part No. **36002**      Diam. of screw **7 mm**  
EAN **4251269301**      holes  
**896**  
Package quantity **10**  
Length **80 mm**  
Width **20 mm**  
Height **20 mm**  
No. of screw **2**  
holes

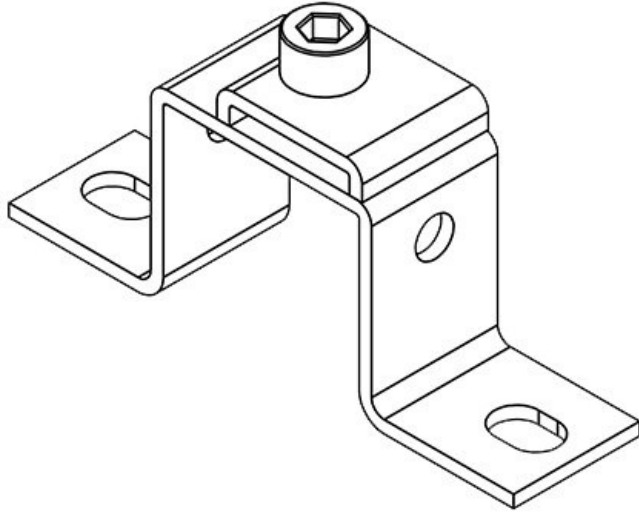


**MF-B30**

Part No. **36008**      Diam. of screw **7 mm**  
EAN **4251269301**      holes  
**902**  
Package quantity **10**  
Length **80 mm**  
Width **20 mm**  
Height **30 mm**  
No. of screw **2**  
holes

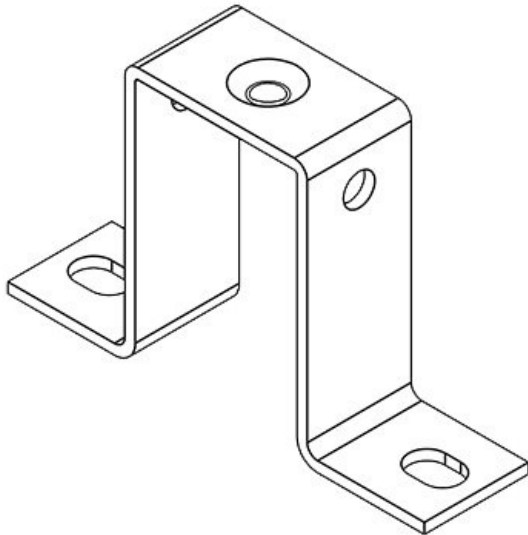


**MF-B30 + Clip**



Part No. **36010** Diam. of screw **7 mm**  
EAN **4251269301** holes  
**919**  
Package quantity **10**  
Length **80 mm**  
Width **20 mm**  
Height **30 mm**  
No. of screw **2**  
holes

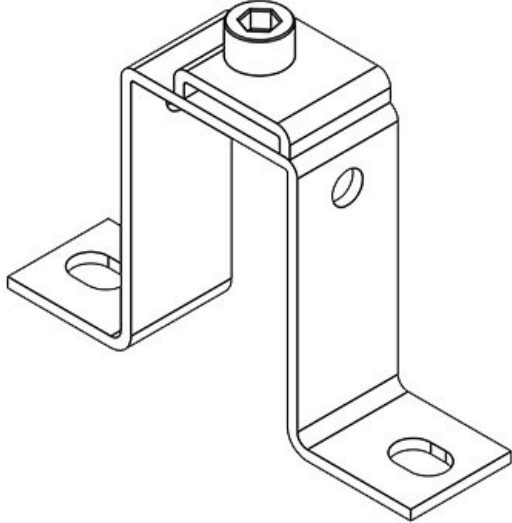
**MF-B50**



Part No. **36016** Diam. of screw **7 mm**  
EAN **4251269301** holes  
**926**  
Package quantity **10**  
Length **80 mm**  
Width **20 mm**  
Height **50 mm**  
No. of screw **2**  
holes

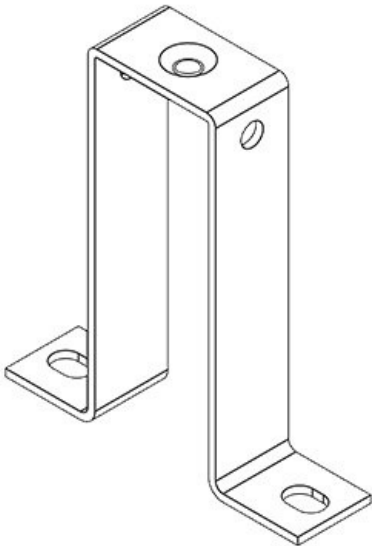
**MF-B50 + Clip**

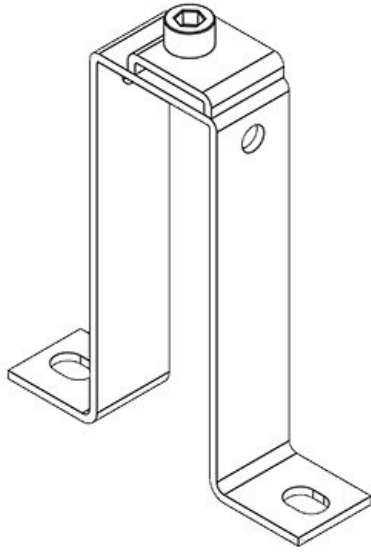
Part No. **36018**      Diam. of screw **7 mm**  
EAN **4251269301**      holes  
**933**  
Package quantity **10**  
Length **80 mm**  
Width **20 mm**  
Height **50 mm**  
No. of screw **2**  
holes



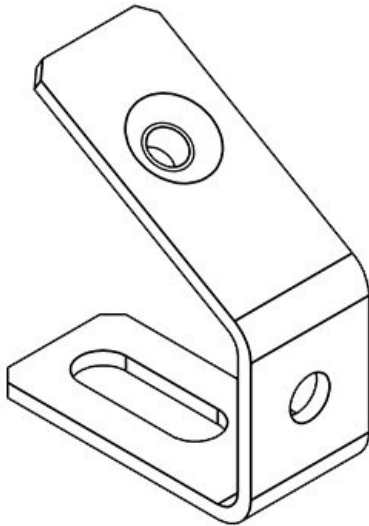
**MF-B90**

Part No. **36024**      Diam. of screw **7 mm**  
EAN **4251269301**      holes  
**940**  
Package quantity **10**  
Length **80 mm**  
Width **20 mm**  
Height **90 mm**  
No. of screw **2**  
holes





Part No. **36026** Diam. of screw **7 mm**  
EAN **4251269301** holes  
**957**  
Package quantity **10**  
Length **80 mm**  
Width **20 mm**  
Height **90 mm**  
No. of screw **2**  
holes

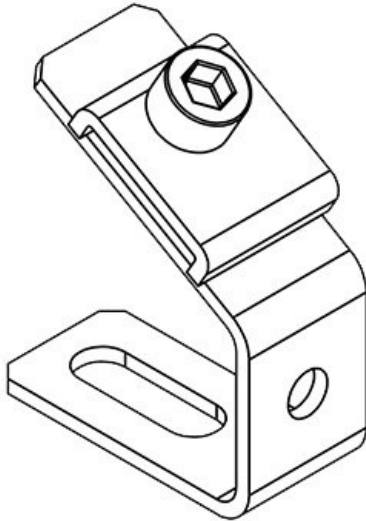


Part No. **36032** Diam. of screw **7 mm**  
EAN **4251269301** holes  
**964**  
Package quantity **10**  
Length **40 mm**  
Width **18 mm**  
Height **40 mm**  
No. of screw **1**  
holes



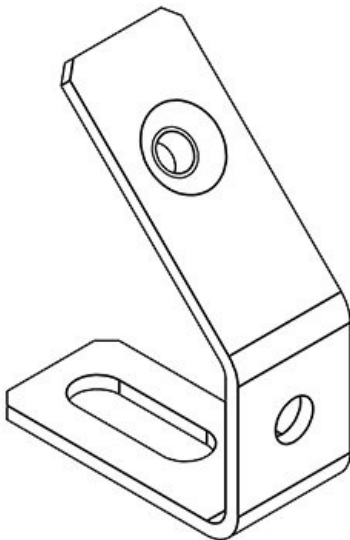
**MF-C40 + Clip**

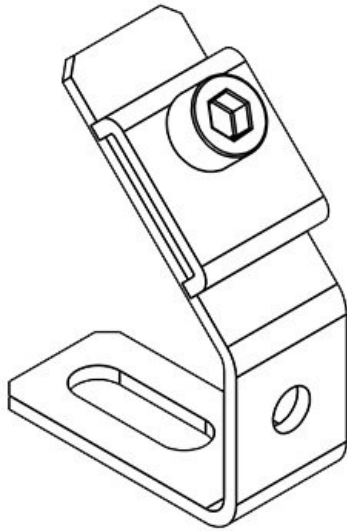
Part No. **36034**      Diam. of screw **7 mm**  
EAN **4251269301**      holes  
**971**  
Package quantity **10**  
Length **40 mm**  
Width **18 mm**  
Height **40 mm**  
No. of screw **1**  
holes



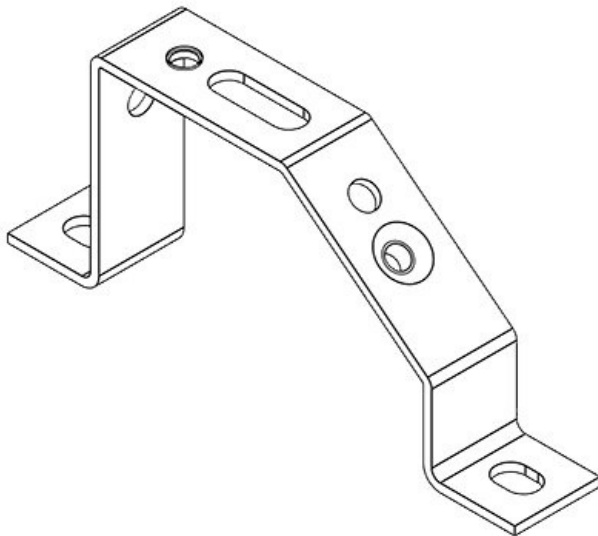
**MF-C53**

Part No. **36040**      Diam. of screw **7 mm**  
EAN **4251269301**      holes  
**988**  
Package quantity **10**  
Length **40 mm**  
Width **18 mm**  
Height **53 mm**  
No. of screw **1**  
holes





Part No. **36042**      Diam. of screw **7 mm**  
EAN **4251269301**    holes  
**995**  
Package quantity **10**  
Length **40 mm**  
Width **18 mm**  
Height **53 mm**  
No. of screw **1**  
holes



Part No. **36048**      Diam. of screw **7 mm**  
EAN **4251269302**    holes  
**008**  
Package quantity **10**  
Length **120 mm**  
Width **20 mm**  
Height **49 mm**  
No. of screw **2**  
holes

Part No.	<b>36050</b>	Diam. of screw	<b>7 mm</b>
EAN	<b>4251269302</b>	holes	
	<b>015</b>		
Package quantity	<b>10</b>		
Length	<b>120 mm</b>		
Width	<b>20 mm</b>		
Height	<b>49 mm</b>		
No. of screw holes	<b>2</b>		

